

# N/D157B

## Cardioid Dynamic Vocal Microphone

The Electro-Voice N/D157B is a Single-D cardioid dynamic microphone utilizing a revolutionary neodymium alloy to form the EV-exclusive N/DYM® magnet with four times the power potential of conventional microphone magnets. The exceptional sensitivity of the N/D157B combined with the inherently low noise of a dynamic transducer insures a superior signal-to-noise ratio ready for video recording and sampling.

For vocal applications where the microphone is used close up, the N/D157B exhibits bass boost (proximity effect) that vocalists really appreciate. The high-frequency performance of the N/D157B has been especially shaped for clean, clear, open sound that cuts through background noise. The low-frequency bass boost plus high-frequency response shaping create a natural sounding microphone.

The directional polar characteristic resists feedback when working close to sound reinforcement speakers and monitors. A built-in blast filter enables close talking or singing without worry of "P-popping" or other excessive breath and sibilant noise. A built-in elastomeric shock mount significantly reduces mechanical noise produced by handling or stand-induced vibration.



### SPECIFICATIONS

#### Frequency Response:

**Close Response:**  
25 to 15,000 Hz

**Far Response:**  
70 to 15,000 Hz

#### Polar Pattern:

Cardioid

#### Open Circuit Voltage:

2.37 mV/pascal @ 1,000 Hz

#### Power Sensitivity:

-53 dB @ 1,000 Hz  
(0 dB = 1 mW/pascal)

#### Dynamic Range:

141 dB

#### Equivalent Output Noise:

16 dB  
(0 dB = 0.0002 dynes/cm<sup>2</sup>)

#### Impedance:

300 ohms balanced (lo-Z)

#### Weight:

10.7 ounces (303 grams)

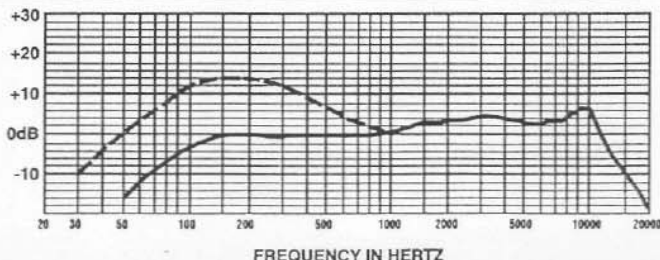
#### Dimensions:

**Height:** 7.25 in. (184.2 mm)

**Diameter:** 2.05 in. (52 mm)

**Shank:** 0.80 in. (20 mm)

### FREQUENCY RESPONSE

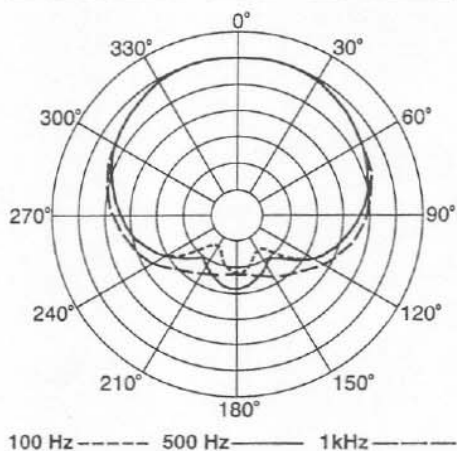


— — — CLOSE RESPONSE

N/DYM® III

# N/D157B

## POLARS



### OPERATION

The N/D157B's low-frequency response varies with the distance from the sound source to the microphone. Maximum bass response is produced in close-up use with the microphone  $\frac{1}{4}$ -inch from the sound source. Minimal bass response is experienced at distances greater than 24 inches. By working closer to the microphone, the human voice will sound more robust.

Working the microphone closely will also reduce the potential for feedback from a PA sound system. This benefit is in addition to the feedback-reducing cardioid polar pattern. When close-talked, the substantial bass boost provides an increase in overall microphone output level. The mixer gain may be proportionately reduced, resulting in a reduction of the system's sensitivity to feedback caused by sound entering the microphone from the distant loudspeakers.

The dynamic element of the N/D157B will provide reliable operation in humidity and temperature extremes—adverse conditions that would render typical condenser microphones useless. The N/D157B will provide years of trouble-free operation.

### UNIFORM LIMITED WARRANTY

Electro-Voice products are guaranteed against malfunction due to defects in materials or workmanship for a specified period, as noted in the individual product-line statement(s) below, or in the individual product data sheet or owner's manual, beginning with the date of original purchase. If such malfunction occurs during the specified period, the product will be repaired or replaced (at our option) without charge. The product will be returned to the customer prepaid.

**Exclusions and Limitations:** The Limited Warranty does not apply to: (a) exterior finish or appearance; (b) certain specific items described in the individual product-line statement(s) below, or in the individual product data sheet or owner's manual; (c) malfunction resulting from use or operation of the product other than as specified in the product data sheet or owner's manual; (d) malfunction resulting from misuse or abuse of the product; or (e) malfunction occurring at any time after repairs have been made to the product by anyone other than Electro-Voice or any of its authorized service representatives.

**Obtaining Warranty Service:** To obtain warranty service, a customer must deliver the product, prepaid, to Electro-Voice or any of its authorized service representatives together with proof of purchase of the product in the form of a bill of sale or receipted invoice. A list of authorized service representatives is available from

Electro-Voice at 600 Cecil Street, Buchanan, MI 49107 (616/695-6831 or 800/234-6831). **Incidental and Consequential Damages Excluded:** Product repair or replacement and return to the customer are the only remedies provided to the customer. Electro-Voice shall not be liable for any incidental or consequential damages including, without limitation, injury to persons or property or loss of use. Some states do not allow the exclusion or limitation of incidental or consequential damages so the above limitation or exclusion may not apply to you. **Other Rights:** This warranty gives you specific legal rights, and you may also have other rights which vary from state to state.

**Electro-Voice Wired Microphones** are guaranteed against malfunction from any cause for two (2) years from the date of original purchase. In addition, the Limited Warranty for the acoustic system contained in these microphones shall apply for the life of the product, defined as a period of ten (10) years from the date that the manufacture of the specific microphone has been discontinued. Any and all active electronics incorporated in these microphones are guaranteed against malfunction due to defects in materials or workmanship for a period of three (3) years from the date of original purchase. The Limited Warranty does not extend to cables, cable connectors, or switches. Additional details are included in the Uniform Limited Warranty statement.

Service and repair address for this product: Electro-Voice, Inc., 600 Cecil Street, Buchanan, Michigan 49107 (616/695-6831 or 800/234-6831).

Specifications subject to change without notice.



**ELECTRO-VOICE** a MARK IV company 600 Cecil Street, Buchanan, Michigan 49107

MANUFACTURING PLANTS AT ■ BUCHANAN, MI ■ NEWPORT, TN ■ SEVIERVILLE, TN ■ OKLAHOMA CITY, OK ■ GANANOQUE, ONT.  
© Electro-Voice, Inc. 1995 ■ Litho in U.S.A. Part Number532544 — 9512